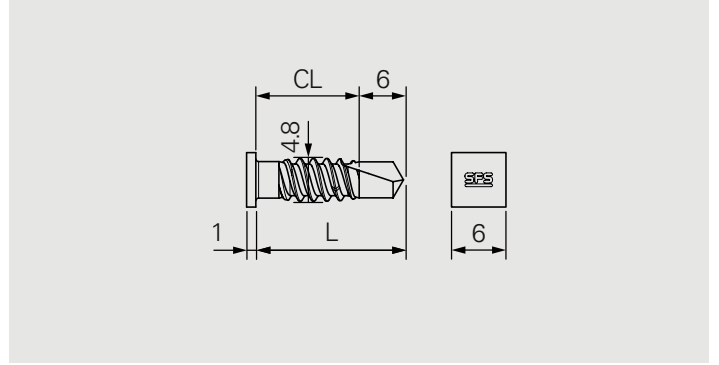


# SDL4-F-4.8xL



## Application

Fastening of light gauge steel frames

## Performance

For product performance see technical data sheet

## Fastener material

Carbon steel, Durocoat®

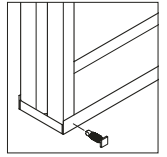
## Approvals

–

## Features and Benefits

- Due to flat geometry, the head does not protrude
- Enables fixing of two metal frames quickly and securely
- Thread-free zone under head prevents overdriving
- Double thread for high setting performance

All measures in mm



## Fastener in carbon steel onto steel

Product code	PU	L	CL <sub>met</sub>	
SDL4-F-4.8×16	1000	16	2.7-4.0	1625778



## Accessories/Ancillaries

Product code	PU	Drive	Head drive	L	
E466-¼"-40	1	¼"	Square	40	858496

### All measures in mm

All information is non-binding and without guarantee. Before using the products, all specifications and calculations must be checked by a suitably qualified person and local regulations must be observed. This document is subject to revision. We reserve the right to make technical changes.