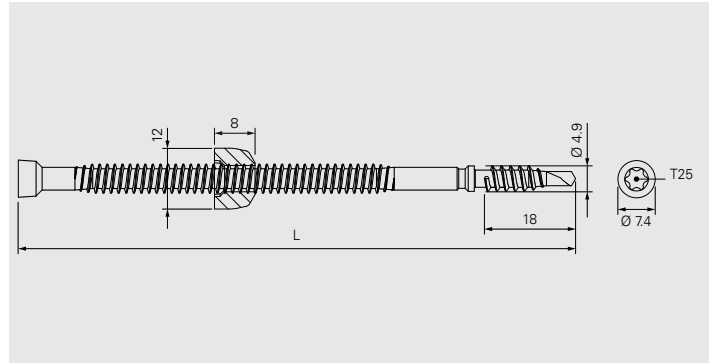
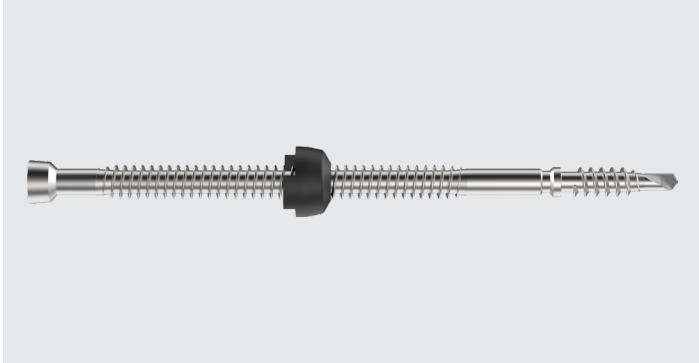
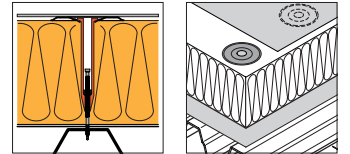


BSA-N-4,8



Application

Adjustable carbon steel fastener for waterproof membrane and tapered insulation securement in combination with sleeve FI-R-20 on steel deck, with telescope-function. Pre-assembled with plastic nut.



Substrate material quality:	S235-S320GD
Substrate material thickness:	min. 0.6 mm max. 2x1.25 mm or 1x2.0 mm
Setting depth:	20 mm (fixed)

Product Information

Material:	Case hardened carbon steel
Corrosion protection:	Durocoat® Resistance 15 cycles Kesternich test according to <ul style="list-style-type: none"> • EAD 030351-00-0402, A2.4 • FM Approval Standard 4470

Approvals/Assessments



Declaration of Performance (DoP)

Features and Benefits

- Adjustable fastening system for tapered insulation with telescopic function
- Fewer product combinations required
- 20 mm fixed setting depth
- High quality corrosion protection, environment friendly, free of Chromium VI


Product Range Loose fasteners, incl. plastic nut

Product Code	L _{mm}	PU	Material No.
BSA-N-4,8×110	110	500	1621138
BSA-N-4,8×160	160	250	1621159


Pre-assembled sleeve-fastener combination, fastener incl. plastic nut

Product Code	Clamping length CL		PU	Material No.
	min. mm	max. mm		
FI-R-20×70/BSA-N-4,8×110	100	120	250	1621140
FI-R-20×100/BSA-N-4,8×110	120	150	250	1621172
FI-R-20×130/BSA-N-4,8×110	150	180	250	1621173
FI-R-20×130/BSA-N-4,8×160	160	230	250	1621174
FI-R-20×160/BSA-N-4,8×160	180	260	250	1621175
FI-R-20×190/BSA-N-4,8×160	210	290	250	1621176
FI-R-20×230/BSA-N-4,8×160	250	330	250	1621177
FI-R-20×300/BSA-N-4,8×160	320	400	250	1621178

Products to combine with

Product Code	Description	
FI-R-20	Sleeve for waterproof membrane and insulation securement. For isoweld® field fastening and seam fastening applications.	

Tools and Accessories

Product Code	Description	
BSA500	Installation tool for adjustable fastening system with fastener BSA-N-4,8 and sleeve FI-R-20.	

Recommendations for Installation

Operating process	Recommendation	
Screwing in	Power screwdriver <ul style="list-style-type: none"> • 1000–3000 rpm • Min. 500 W Battery tool <ul style="list-style-type: none"> • 1000–3000 rpm • Min. 18 V • Battery with min. 2,5 Ah 	