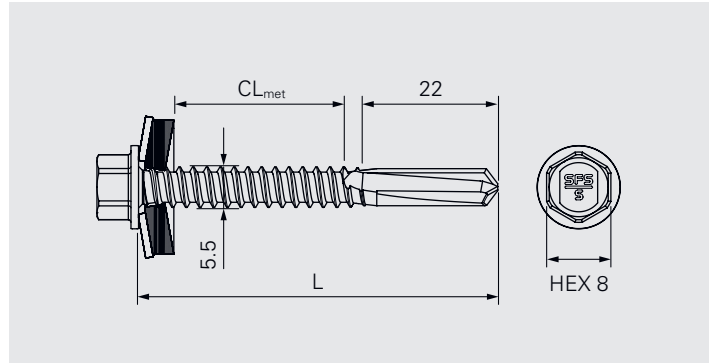


SX20-5.5



Application

Fastening of profile sheets onto metal beams
Fastening of standing seam clips onto metal beams

Component 1 (t_I / t_{NII})		Component 2 (t_{II})		$\Sigma_{\max} t_I + t_{II}$
Steel	0.50–2.0	Steel	4.0–18.0	20.0
Steel	2×0.50–1.50	–	–	20.0
Aluminium	0.50–1.50	–	–	20.0

Fastener material

Austenitic stainless steel A2/A4, case hardened drill point
Sealing washer: Austenitic stainless steel A2/A4, EPDM-seal

Approvals

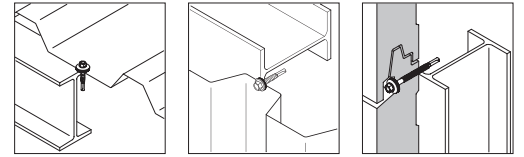
–

Features and Benefits

- Self drilling fastener suitable for installation of profile sheets and sandwich panels
- High quality EPDM sealing washer for long-term weather sealing
- High performance drill point for heavy steel beams

Documentation

Approval document (ETA) | Declaration of performance (DoP)



Fastener in A2 onto steel

Product code	PU	L	CL _{met}	t _{fix, met}	S16	S19
SX20-S16-5,5x52-A2	500	52	0-20	0-2/16	1673857	1673881

t_{fix, met}: CL_{met, min.} - (CL_{met, max.} - t_{II, max.} or load-bearing clamping length according ETA)/(CL_{met, max.} - t_{II, min.})



Accessories/Ancillaries

Product code	PU	Drive	Head drive	
SOK-IT-¼"-57-8Nm	1	¼"	HEX8	1667322