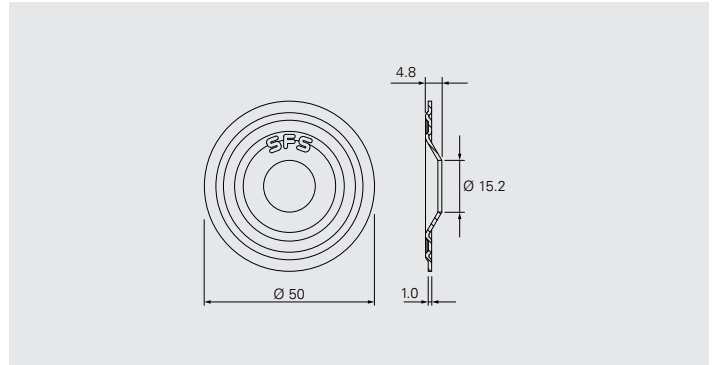
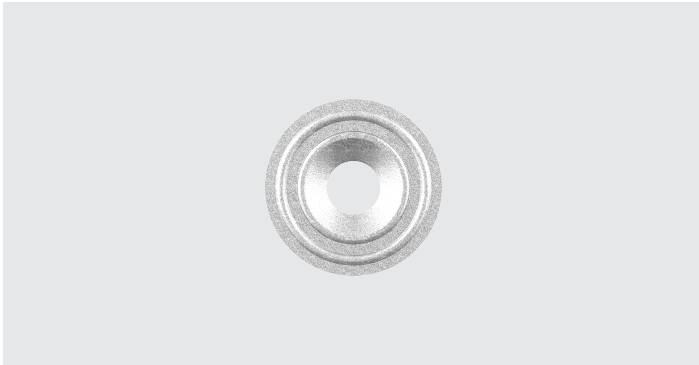
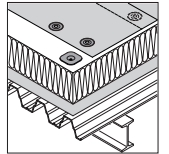
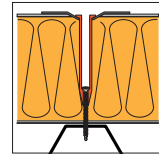


# BSA-P-50



## Application

Stress plate for waterproof membrane and insulation securement in combination with sleeve FI-R-20.  
For seam fastening application.



## Product Information

Material:	Carbon steel, zinc plated
Corrosion protection:	Resistance 15 cycles Kesternich test according to <ul style="list-style-type: none"><li>• EAD 030351-00-0402, A2.4</li><li>• FM Approval Standard 4470</li></ul>

## Approvals/Assessments



Declaration of Performance (DoP)

## Product Range

Product Code	PU	Material No.
BSA-P-50	500	1585038

## Products to combine with

Product Code	Description	
FI-R-20	Sleeve for waterproof membrane and insulation securement. For isoweld® field fastening and seam fastening applications.	