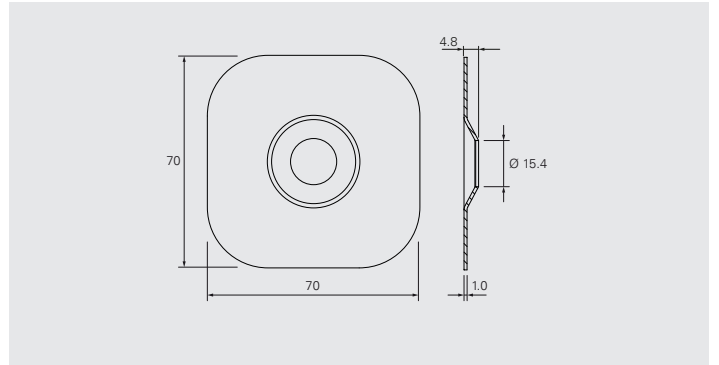
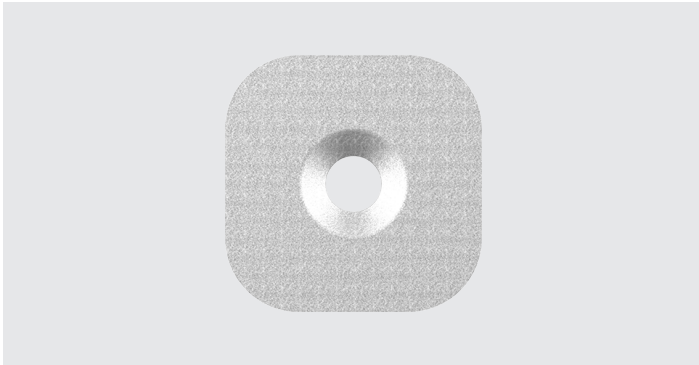
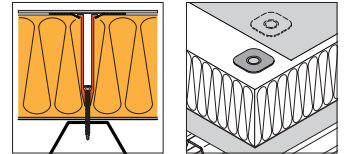


BSA-P-70x70



Application

Stress plate for insulation securement in combination with sleeve FI-R-20.



Product Information

Material:	Carbon steel, zinc plated
Corrosion protection:	Resistance 15 cycles Kesternich test according to <ul style="list-style-type: none"> • EAD 030351-00-0402, A2.4 • FM Approval Standard 4470

Approvals/Assessments



Declaration of Performance (DoP)

Product Range

Product Code	PU	Material No.
BSA-P-70×70	100	1585049

Products to combine with

Product Code	Description	
FI-R-20	Sleeve for waterproof membrane and insulation securement. For isoweld® field fastening and seam fastening applications.	