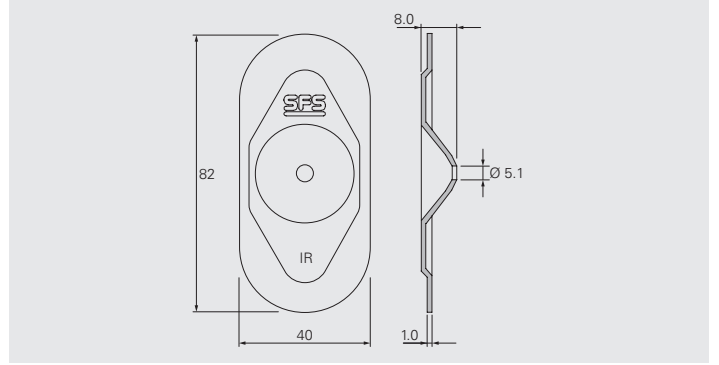
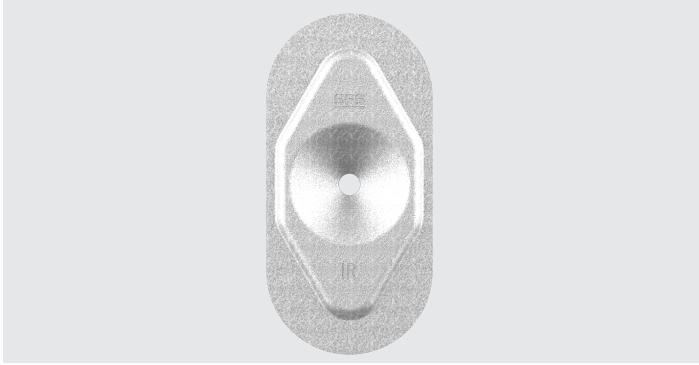
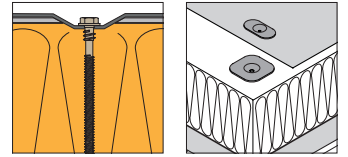


IR-82x40



Application

Stress plate for waterproof membrane and insulation securement.
For seam fastening application.



Product Information

Material:	Carbon steel, zinc plated
Corrosion protection:	Resistance 15 cycles Kesternich test according to <ul style="list-style-type: none"> • EAD 030351-00-0402, A2.4 • FM Approval Standard 4470

Approvals/Assessments





Declaration of Performance (DoP)

Product Range

Product Code	PU	Material No.
IR-82x40	100	479858

Products to combine with

Product Code	Description	
IR2-4,8 IR2-M-4,8	Carbon steel fastener for steel deck, timber and timber-based boards, loose and belted.	
IR2-S-4,8 IR2-S-M-4,8	Stainless steel fastener for steel deck, timber and timber-based boards, loose and belted.	
IR3-4,8	Carbon steel fastener for thick steel deck.	