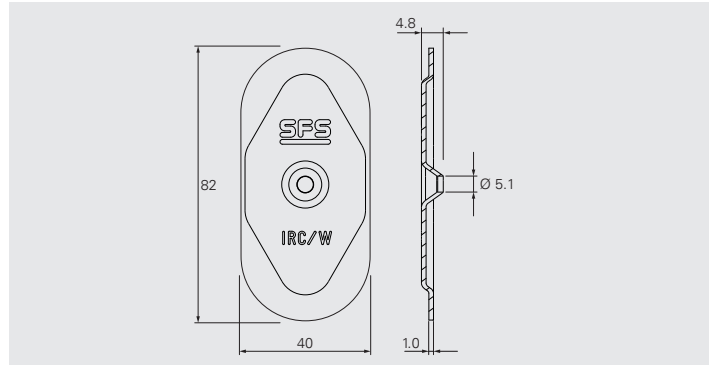
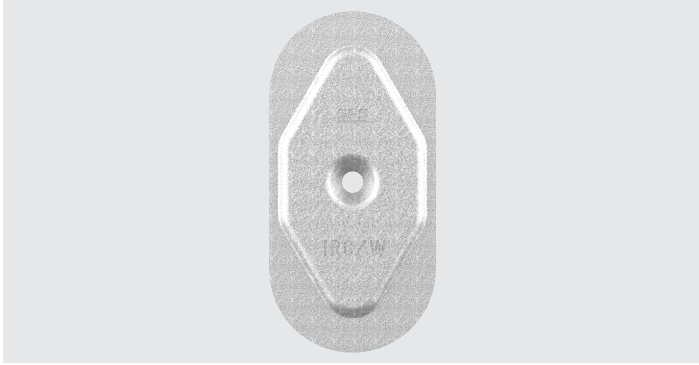
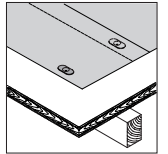


IRC/W-82x40



Application

Stress plate for waterproof membrane and insulation securement.
For seam fastening application.



Product Information

Material:	Carbon steel, zinc plated
Corrosion protection:	Durocoat® Resistance 15 cycles Kesternich test according to <ul style="list-style-type: none">• EAD 030351-00-0402, A2.4• FM Approval Standard 4470

Approvals/Assessments




Declaration of Performance (DoP)

Product Range

Product Code	PU	Material No.
IRC/W-82x40	100	479940

Products to combine with

Product Code	Description	
IWF-5,2	Carbon steel fastener for timber and timber-based boards.	
IW-S-5,0	Stainless steel fastener for timber and timber-based boards.	