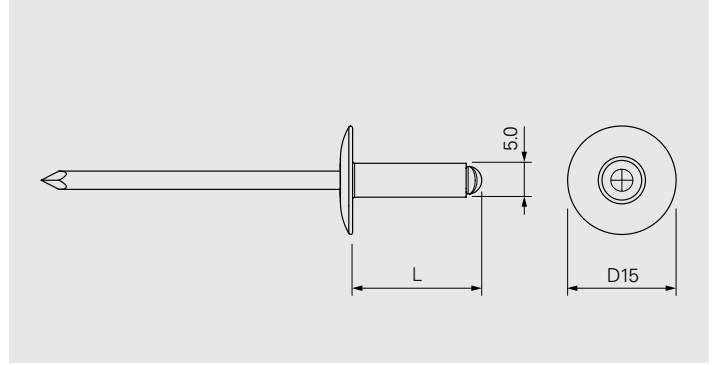
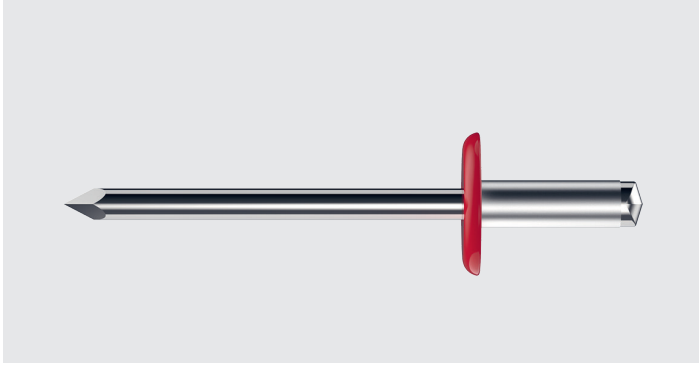


# SSO-5.0



## Application

Fastening of cladding panel to aluminium or steel rail

## Component 1 (t<sub>1</sub>)

Cladding panel

## Component 2 (t<sub>II</sub>)

Aluminium	≥1.0
Pre-drill Ø	5.1

Cladding panel

Steel	≥1.0
Pre-drill Ø	5.1

## Fastener material

Body: Austenitic stainless steel A4

Mandrel: Austenitic stainless steel A4

## Approvals

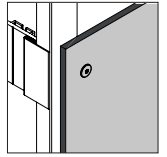
ETA-21/0951

## Features and Benefits

- Blind rivet suitable for installation of pre-drilled cladding panels onto pre-drilled aluminium or steel structure
- High clamping range with clamping force independent of the clamping thickness
- Non-detachable and vibration-resistant connection

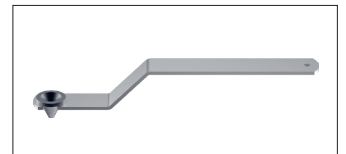
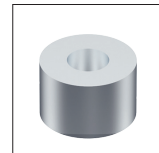
## Documentation

Approval document (ETA)



## Blind rivet in A4 onto aluminium and steel

Product code	PU	L	CL	Blank	Coloured
SSO-D15-50140	250	14	4.0–9.5	1262436	1363885
SSO-D15-50180		18	8.0–13.5	1262437	1363886
SSO-D15-50220		22	12.0–18.0	1262439	1363887
SSO-D15-50270		27	17.0–22.0	–	1685313



## Accessories/Ancillaries

Product code	PU	Pre-drill Ø panel	
AccuBird®Pro	1	–	1679661
FP-S Sleeves	–		–
NOSEPIECE-MOVING-POINT-SSO-D15-50xL	1		1291200
DG-146x20-7,0		7.0–7.9	1320657
DG-146x20-8,0		8.0–8.9	1320658
DG-146x20-9,0		9.0–9.9	1320659
DG-146x20-10,0		10.0–10.9	1321704
ZL-5,1/7-18		7.0–18.0	701532