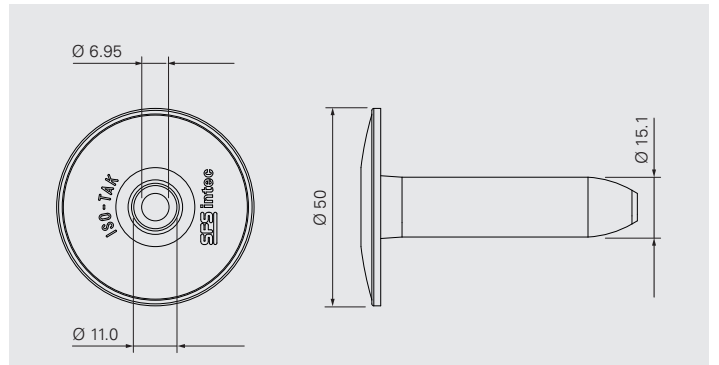


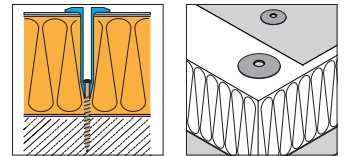
RG50



Application

Sleeve for waterproof membrane and insulation securement in combination with fasteners LBS-T25-8,0 and LBS-S-T25-8,0.
For seam fastening application.

Overlap length between sleeve and fastener: 13 mm



Product Information

Material: High quality polypropylen (PP)

Approvals/Assessments



Declaration of Performance (DoP)


Features and Benefits

- 50 mm head diameter provides high design values
- Optimized sleeve tip for the combination with LBS fasteners




Product Range

Product Code	L _{mm}	PU	Material No.
RG50×65	65	500	530660
RG50×105	105	500	530668
RG50×165	165	500	1627133
RG50×225	225	250	1627138
RG50×285	285	250	1627139
RG50×365	365	250	1627140

Products to combine with

Product Code	Description	
LBS-T25-8,0	Carbon steel fastener for aerated concrete deck.	
LBS-S-T25-8,0	Stainless steel fastener for aerated concrete deck.	

Tools and Accessories

Product Code	Description	
ZA¼"-M6-300 ZA¼"-M6-750	Drive bar for installation of fastener and sleeve, length 300 mm and 750 mm	
ZA¼"-M6-EXT	Drive bar extension, length 100 mm	
T25-32-M6	Insert bit with T25 drive	
ZH-11-RING	Adapter to hold sleeves R48, R50, R75 onto drive bar	